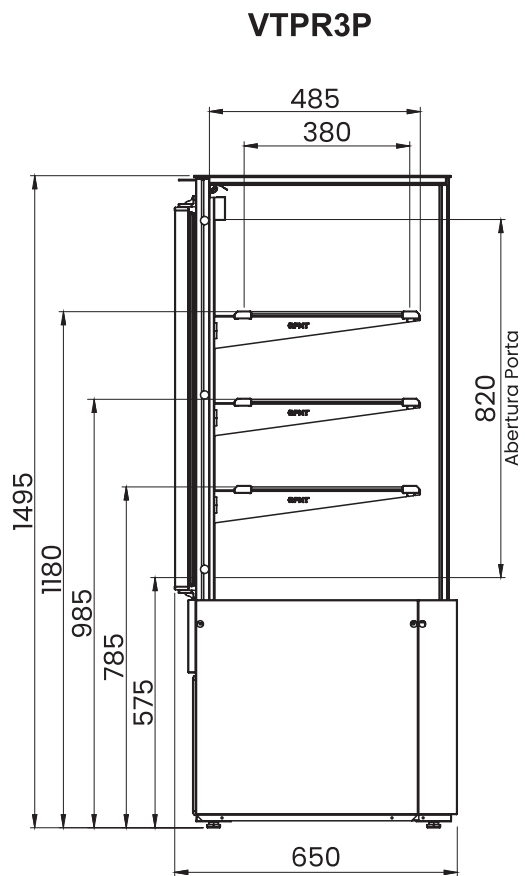
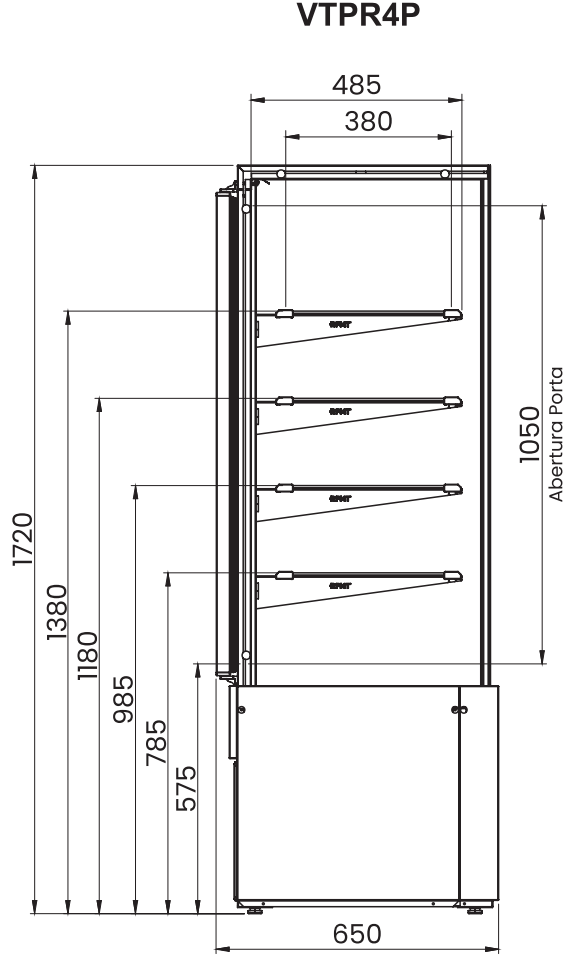


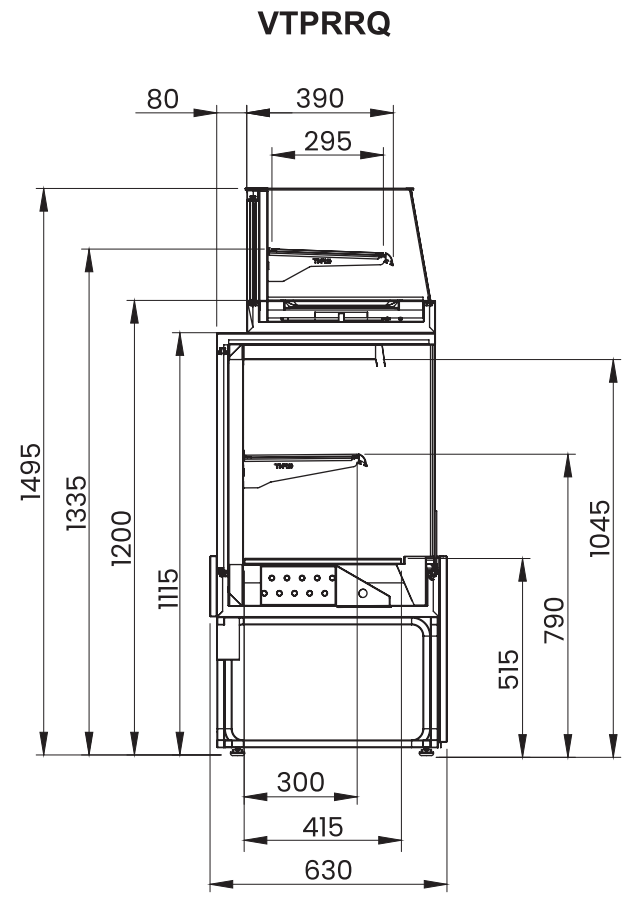
**VITRINE TITANIUM PREMIUM
2 PRATELEIRAS**



**VITRINE TITANIUM PREMIUM
3 PRATELEIRAS**



**VITRINE TITANIUM PREMIUM
4 PRATELEIRAS**



**VITRINE TITANIUM PREMIUM
REFRIGERADO/QUENTE**